

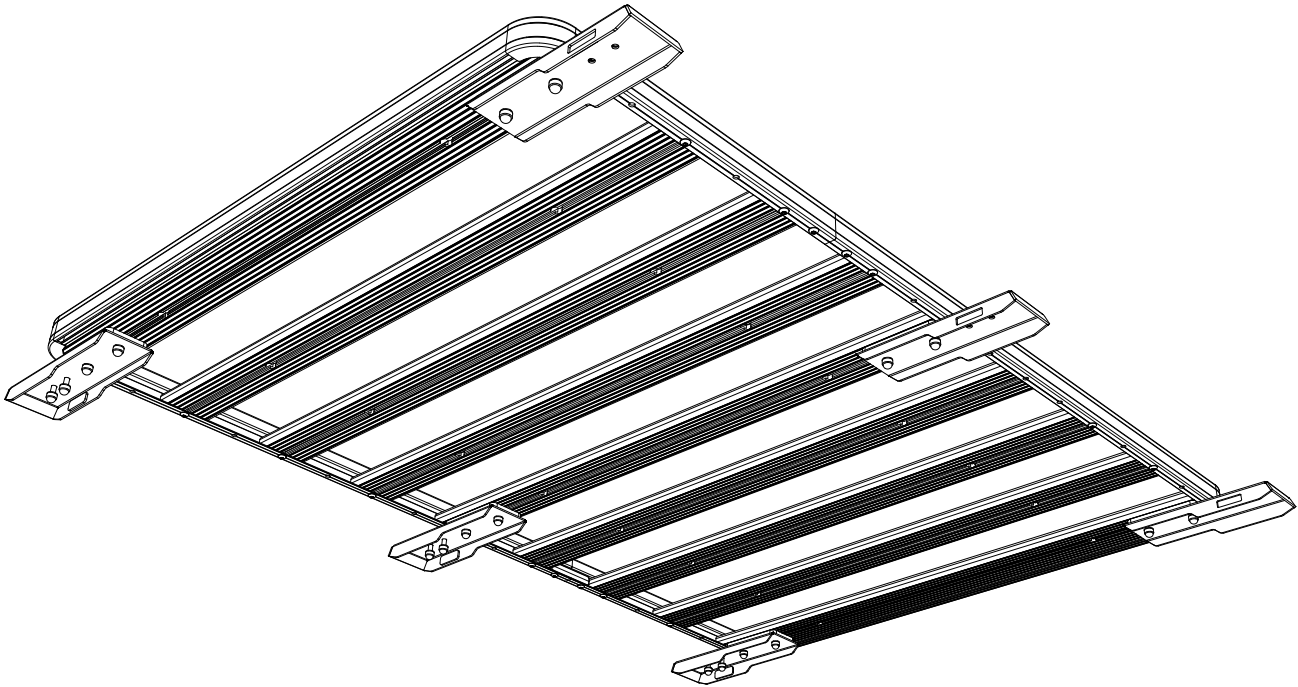


FRONT RUNNER
VEHICLE OUTFITTERS

GUTTER MOUNT LEG EXTENSIONS

ENG

RRAC109



READ ME !

Thank you for purchasing Front Runner Gutter Mount Leg Extensions.
Before you start, take a moment to familiarize yourself with this Fitting Instruction and the components received.
Refer to Page 2 for a list of all the components, quantities and tools required.

IMPORTANT WARNING!

IT IS CRITICAL THAT ALL FRONT RUNNER PRODUCTS BE PROPERLY AND SECURELY ASSEMBLED AND ATTACHED TO YOUR VEHICLE.
IMPROPER ATTACHMENT COULD RESULT IN AN AUTOMOBILE ACCIDENT, AND COULD CAUSE SERIOUS BODILY INJURY OR DEATH.
YOU ARE RESPONSIBLE FOR ASSEMBLING AND SECURING ALL FRONT RUNNER PRODUCTS TO YOUR VEHICLE. CHECKING THE ATTACHMENTS PRIOR TO USE, AND PERIODICALLY INSPECTING THE PRODUCTS FOR ADJUSTMENT, WEAR AND DAMAGE.
THEREFORE YOU MUST READ AND UNDERSTAND ALL OF THE INSTRUCTIONS AND PRECAUTIONS SUPPLIED WITH YOUR FRONT RUNNER PRODUCT PRIOR TO INSTALLATION OR USE.
IF YOU DO NOT UNDERSTAND ALL OF THE INSTRUCTIONS AND CAUTIONS, OR IF YOU HAVE NO MECHANICAL EXPERIENCE AND ARE NOT THOROUGHLY FAMILIAR WITH THE INSTALLATION PROCEDURES,
YOU SHOULD HAVE THE PRODUCT INSTALLED BY A PROFESSIONAL INSTALLER OR OTHER QUALIFIED PERSONNEL.

1

GET ORGANIZED

Here is what you are looking at for RRAC109

IN THE BOX

1	2 X	Gutter Mount Leg Extensions
2	4 X	M8x30 Hex Bolt
3	4 X	M8x30 Button Head
4	12 X	M8x16x1.6ss Flat Washer
5	8 X	M8 Nyloc Nut
6	8 X	M8 Nut Cap

TOOLS NEEDED

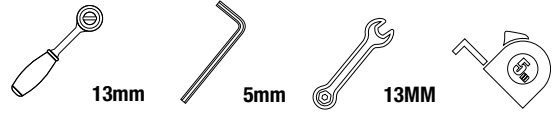
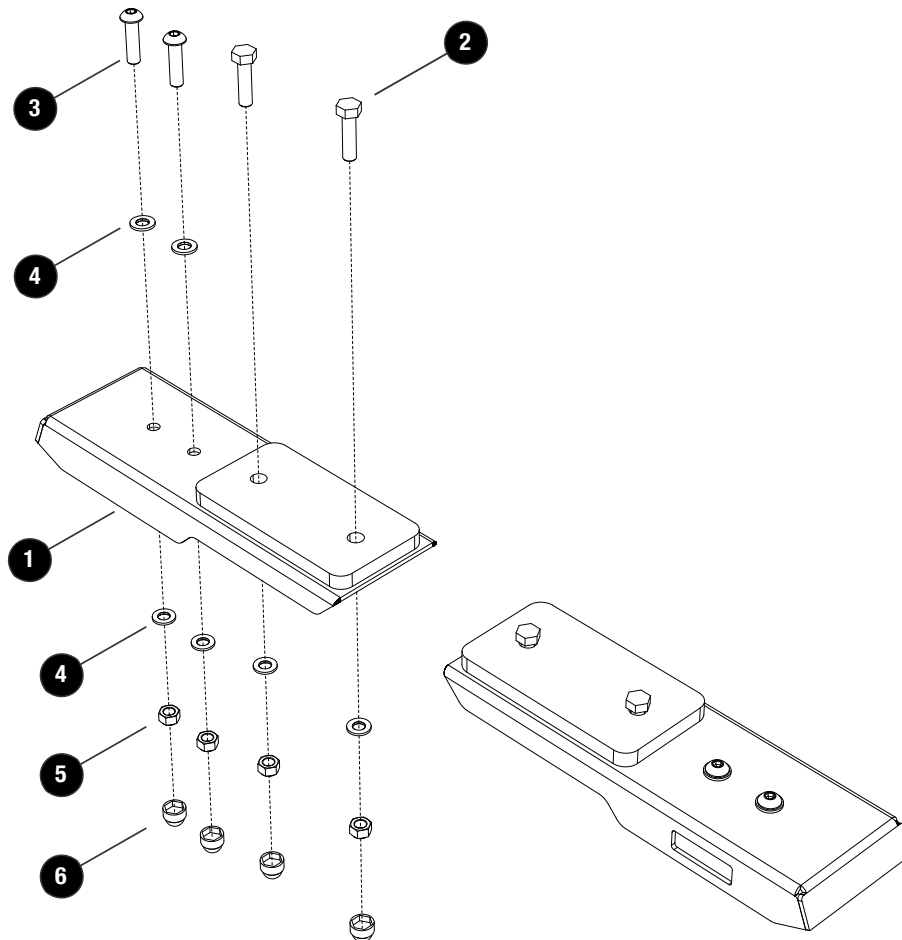
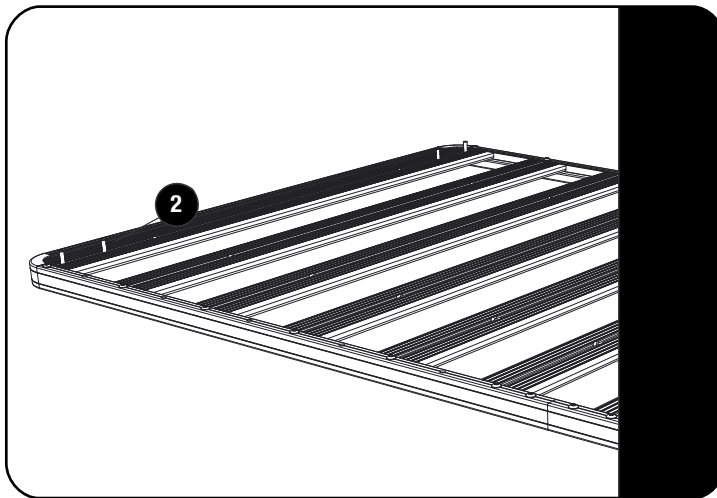


FIGURE 1.1



2**FIT AND SECURE**

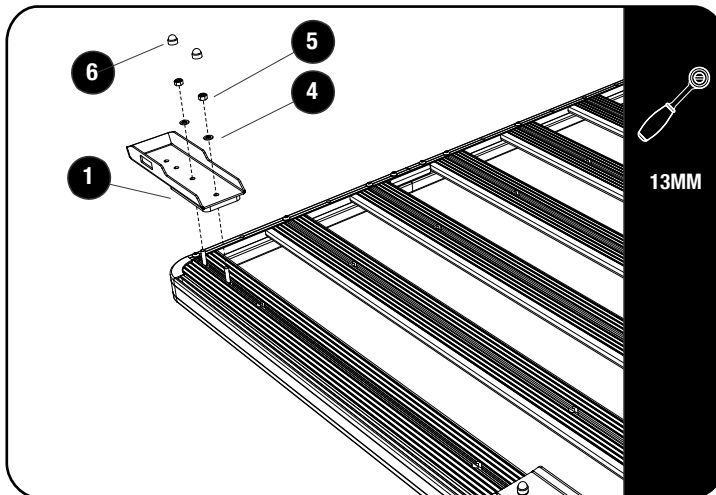
2.1



Assess where you will be mounting the Gutter Mount Leg Extensions.

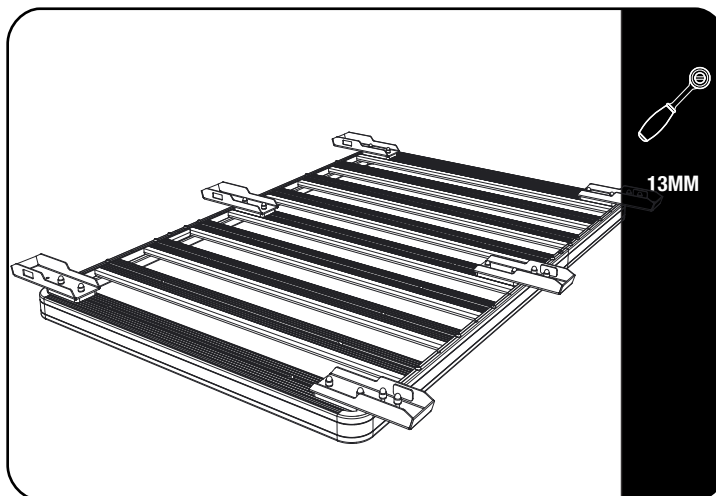
Flip the rack so that the bottom of the rack faces up. Insert two M8x30 Hex Bolts (item 2) per side into each of the slats t-slots that you have identified.

2.2



Fit the Gutter Mount Leg Extensions (item 1) loosely with two M8 flat washers (item 4) and two M8 nyloc nuts (item 5).

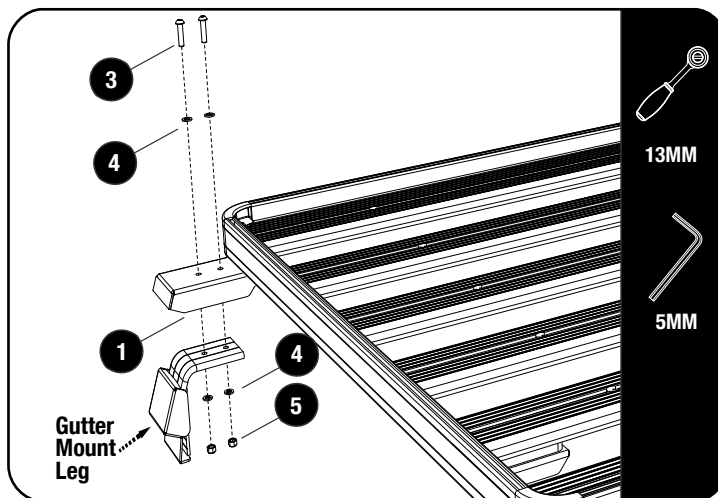
2.3



Repeat step 2.1 and 2.2 for the remaining Gutter Mount Extensions.

2 FIT AND SECURE

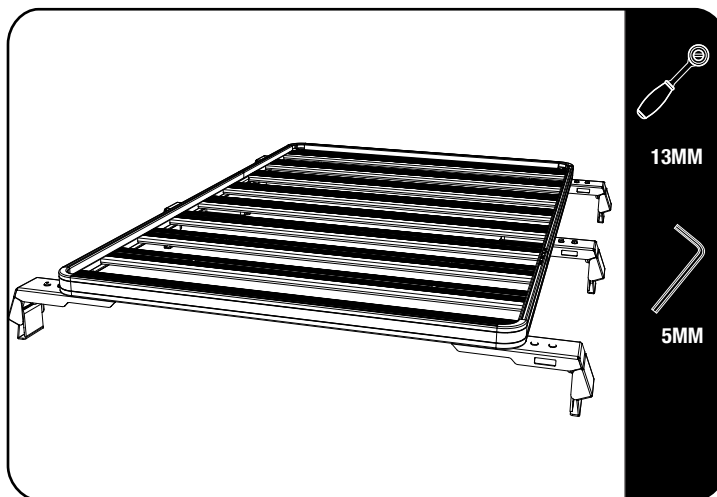
2.4



Assemble your Front Runner Leg to the Gutter Mount Leg Extension with the fasteners shown.

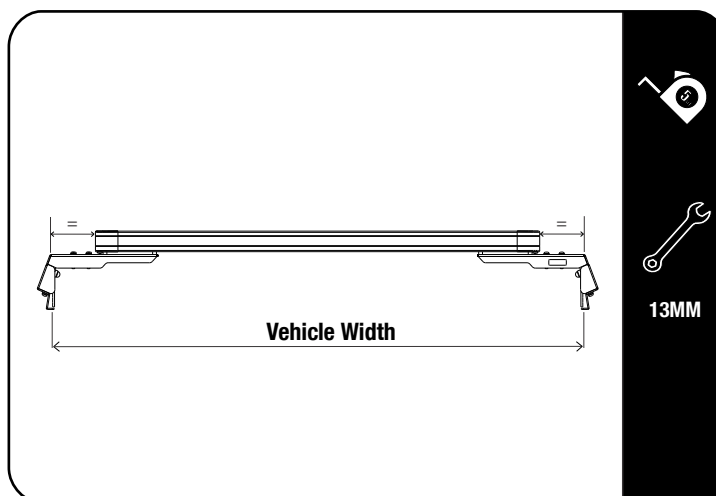
Replace the standard M8 bolts supplied with the Gutter Mount Legs with two M8x30 button head Bolts (item 3).

2.5



Repeat step 2.4 for the remaining Legs.

2.6



Adjust the Gutter Mount Extensions to suit the width of your vehicle.

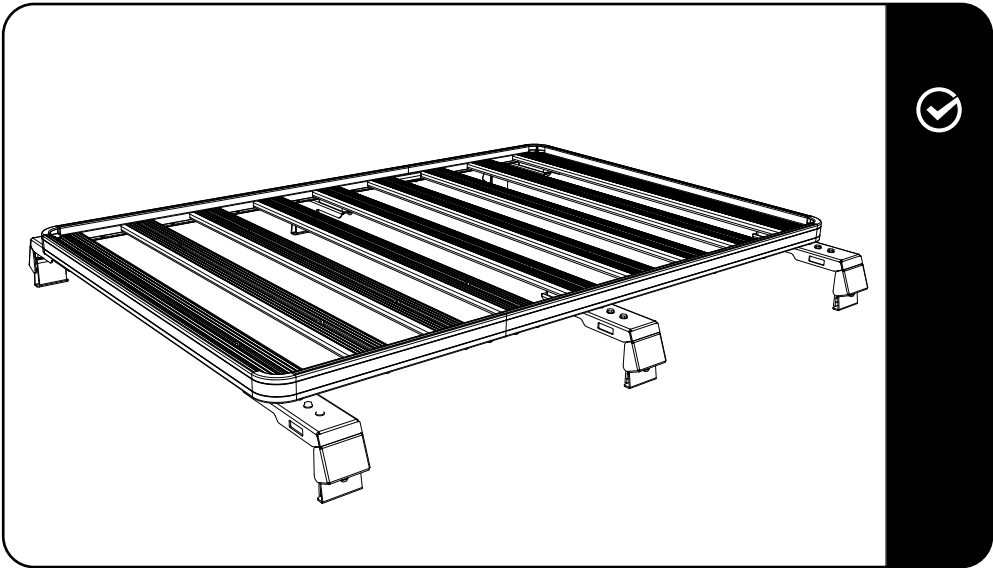
Fully tighten all the M8 Nyloc Nuts and cover each of them with M8 nut caps (item 6).

Make sure that all the gutter mount extensions are spaced equally across the width of the rack.

3

COMPLETION

3.1



Congratulations. You did it. Take a step back and admire your work!

4

INSTALL OTHER VEHICLE AND RACK ACCESSORIES

Now's the time to visit your favorite Front Runner Dealer in person or online.