

READ ME !

Thank you for purchasing a pair Front Runner LED Light Mounting Brackets.
Before you start, take a moment to familiarize yourself with the Fitting Instructions and the components received.
Refer to Page 2 for a list of all the components, quantities and tools required.

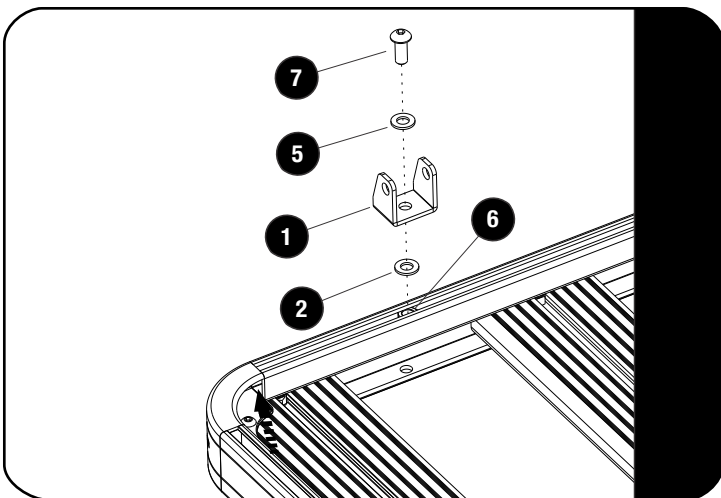
IMPORTANT WARNING!

IT IS CRITICAL THAT ALL FRONT RUNNER PRODUCTS BE PROPERLY AND SECURELY ASSEMBLED AND ATTACHED TO YOUR VEHICLE. IMPROPER ATTACHMENT COULD RESULT IN AN AUTOMOBILE ACCIDENT, AND COULD CAUSE SERIOUS BODILY INJURY OR DEATH. YOU ARE RESPONSIBLE FOR ASSEMBLING AND SECURING ALL FRONT RUNNER PRODUCTS TO YOUR VEHICLE, CHECKING THE ATTACHMENTS PRIOR TO USE, AND PERIODICALLY INSPECTING THE PRODUCTS FOR ADJUSTMENT, WEAR AND DAMAGE. THEREFORE, YOU MUST READ AND UNDERSTAND ALL OF THE INSTRUCTIONS AND PRECAUTIONS SUPPLIED WITH YOUR FRONT RUNNER PRODUCT PRIOR TO INSTALLATION OR USE. IF YOU DO NOT UNDERSTAND ALL OF THE INSTRUCTIONS AND CAUTIONS, OR IF YOU HAVE NO MECHANICAL EXPERIENCE AND ARE NOT THOROUGHLY FAMILIAR WITH THE INSTALLATION PROCEDURES, YOU SHOULD HAVE THE PRODUCT INSTALLED BY A PROFESSIONAL INSTALLER OR OTHER QUALIFIED PERSONNEL.

NOTE: Front Runner will not be responsible for any damage caused by the failure to install the product according to these instructions.
Please call us if you have any questions about the installation of this product.

2**FIT AND SECURE LED LIGHT BRACKET TO A RACK**

2.1

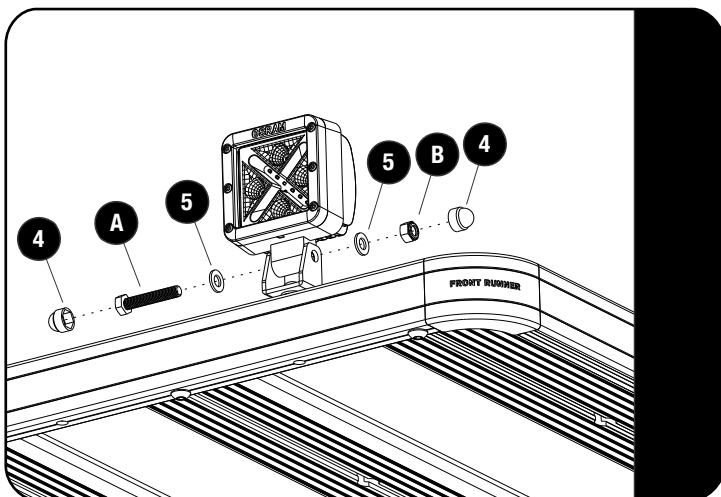


Choose where on the rack you would like to fit the LED light.

Slide a M8 Nyloc Nut (Item 6) into the Side Profile.

Fit the Mounting Bracket (Item 1) using a M8 x 20 Button Head, M8 x 16 x 1.6SS Flat Washer and M8 Nylon Washer (Items 2, 5 & 7) as shown.

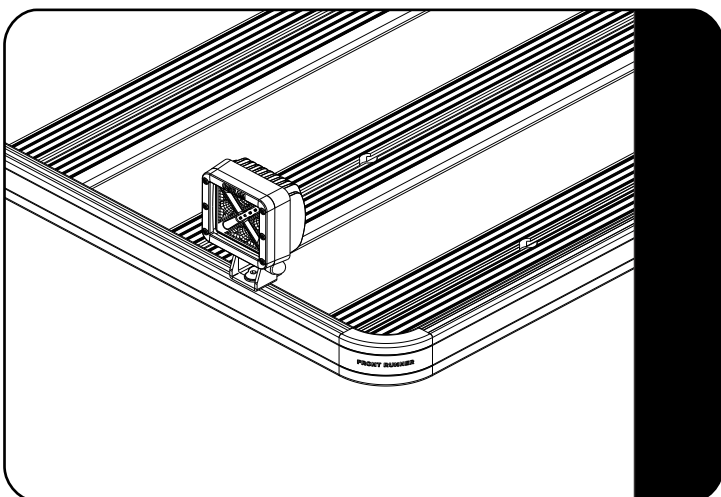
2.2



Fit the LED light to the bracket as shown, using the M8 x 45 SS Hex Bolt and M8 SS Nyloc Nut supplied with the light, together with the M8 x 16 x 1.6 Flat Washer and M8 Nut Caps supplied with the Mounting Bracket.

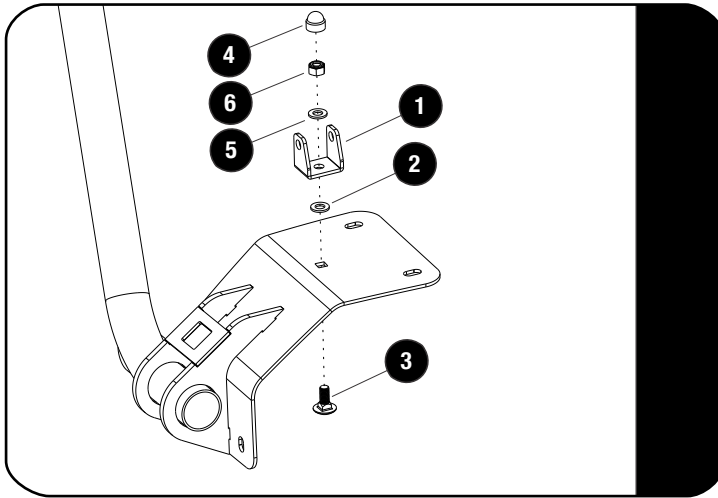
A. M8 x 45 SS Hex Bolt
B. M8 SS Nyloc Nut

2.3



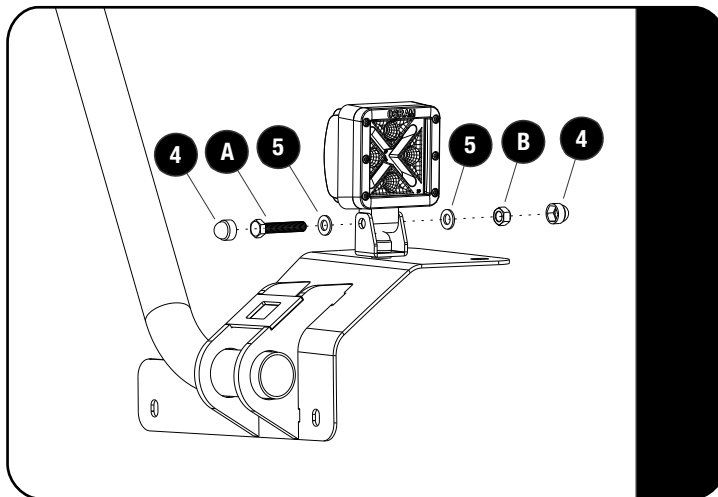
3**FIT AND SECURE LED LIGHT BRACKET TO JEEP PILLAR OR SIMILAR**

3.1



Fit the Mounting Bracket (Item 1) using a M8 x 20 Carrige Bolt, M8 x 16 x 1.6SS Flat Washer, M8 Nylon Washer and M8 Nut Cap (Items 2, 3, 4, 5 & 6) as shown.

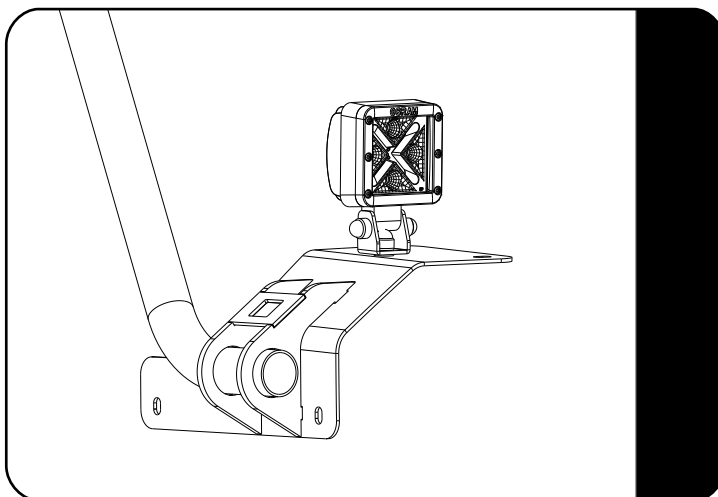
3.2



Fit the LED light to the bracket as shown, using the M8 x 45 SS Hex Bolt and M8 SS Nyloc Nut supplied with the light, together with the M8 x 16 x 1.6 Flat Washer and M8 Nut Caps supplied with the Mounting Bracket.

A. M8 x 45 SS Hex Bolt
B. M8 SS Nyloc Nut

3.3



3

FINISH

Congratulations! You did it. Take a step back and admire your work!

4

INSTALL OTHER VEHICLE AND RACK ACCESSORIES

Now's the time to visit your favorite Front Runner Dealer in person or online.

Be sure to tag us. We love to see our gear in action! #FrontRunnerOutfitters #BornToRoam

Share your adventures on: 